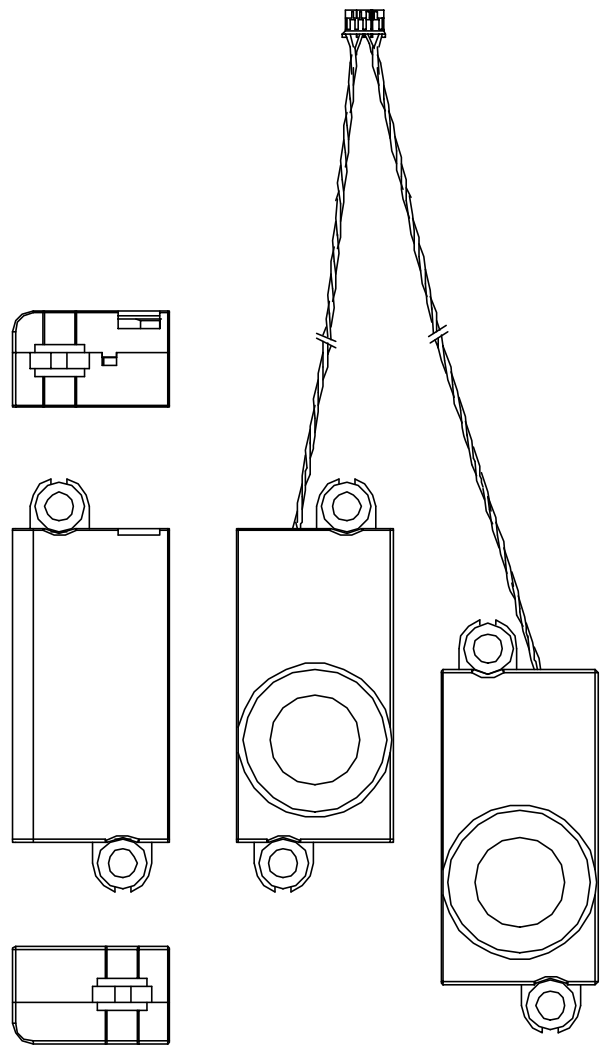


R +RED
 R -BLACK
 L -BLACK
 L +RED



VERSION		DATE		DESCRIPTION	
V 1.0	03.07.17				
Unit:	mm	Scale:		CHK.:	Dwg.:
Tol.:				Appr.:	